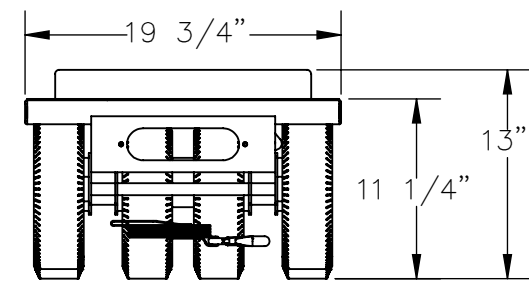
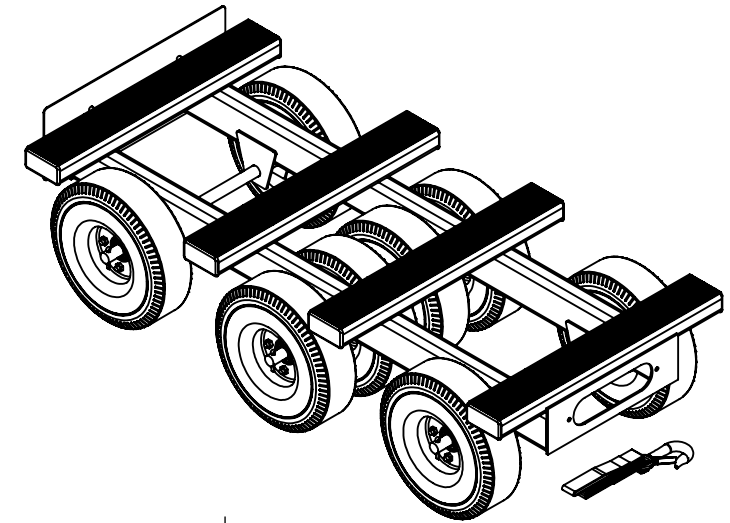
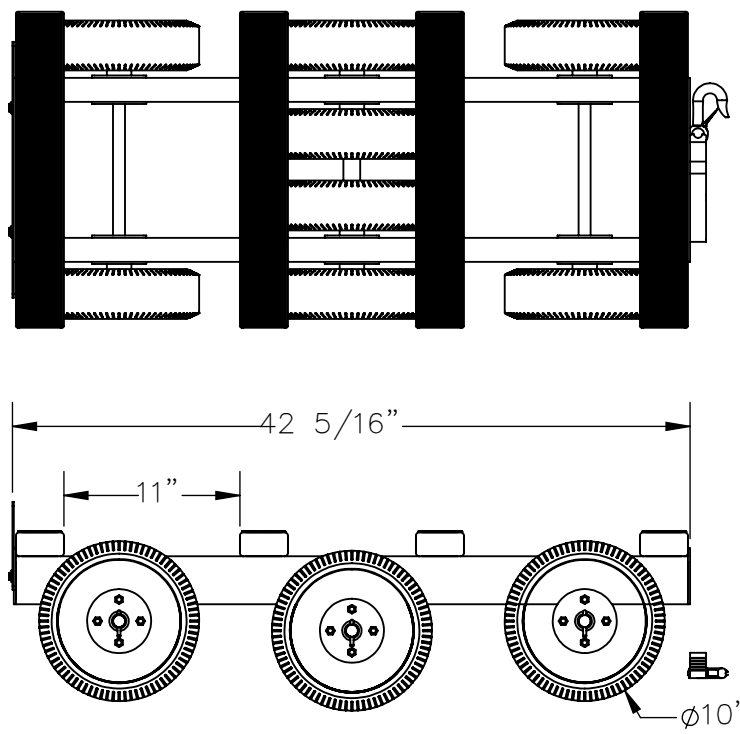


# EIGHT WHEEL DOLLY - ALL-T-D8W-1400

APPROX WEIGHT: 129 lbs.  
DOES NOT INCLUDE WEIGHT OF POWER OR PACKAGING!!!

\*\*\* ANY ADDITIONS, DELETIONS, OR OMISSIONS MUST BE CORRECTED ON THIS DRAWING AS THIS DRAWING WILL BE CONSIDERED ALL INCLUSIVE \*\*\*  
ALL GRAPHICS PROVIDED ARE FOR REFERENCE ONLY. IF CERTAIN DIMENSIONS ARE CRITICAL PLEASE VERIFY THOSE DIMENSIONS WITH YOUR SALESPERSON



DIMENSION TOLERANCE ± 1/4"

## STANDARD FEATURES

- MODEL NUMBER IS ALL-T-D8W-1400
- CAPACITY: 1400 LBS.
- OVERALL WIDTH IS 19 3/4"
- OVERALL LENGTH IS 42 5/16"
- OVERALL HEIGHT IS 13"
- DECK HEIGHT 11 1/4"
- (8) Ø10" BLACK URETHANE FOAM TIRES W/SILVER RIM
- INCLUDED REATRAINT STRAP
- TOUGH BAKED IN POWDER COATED BLACK FINISH

## SPECIAL FEATURES

NONE

<b>A P P R O V A L</b>	I, THE UNDERSIGNED, AGREE THAT THE PRODUCT AS REPRESENTED SATISFIES DESIGN AND DIMENSION REQUIREMENTS. I ALSO ACKNOWLEDGE MY DUTY TO CONFIRM PRODUCT AND INSTALLATION COMPLIANCE WITH ALL APPLICABLE FEDERAL, STATE AND LOCAL REGULATIONS AND STANDARDS.	
	<b>ANY MODIFIED UNITS ARE NON-RETURNABLE</b>	
	[ ] As drawn      [ ] As marked	
	Signed: _____	Date: _____
Printed Name: _____		
<i>LEAD TIME WILL START UPON RECEIPT OF SIGNED APPROVAL DRAWING</i>		

FOR INTERNAL USE ONLY PROJECT SIGN OFF	
SALES	
ENG.	
FAB.	
POWER	

DISTRIBUTOR'S NAME:		P.O.#
HOF Equipment Company		X
DRAWN BY:		W.O.#
C.CLEMENS	DATE:	X
REFERENCE:	X	SALES:
	SCALE: 1:24	X
QUOTED LEAD TIME:	X	FILE NAME:
	QUOTE #	16-007-448
	X	